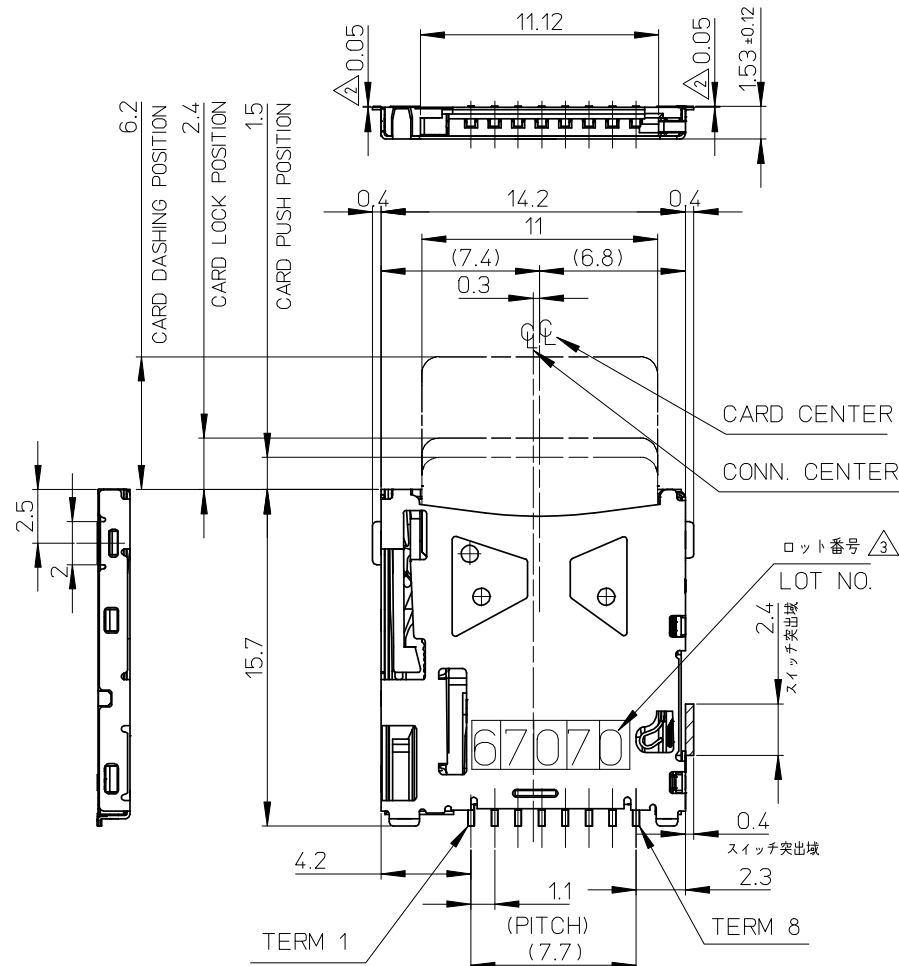


NOTES

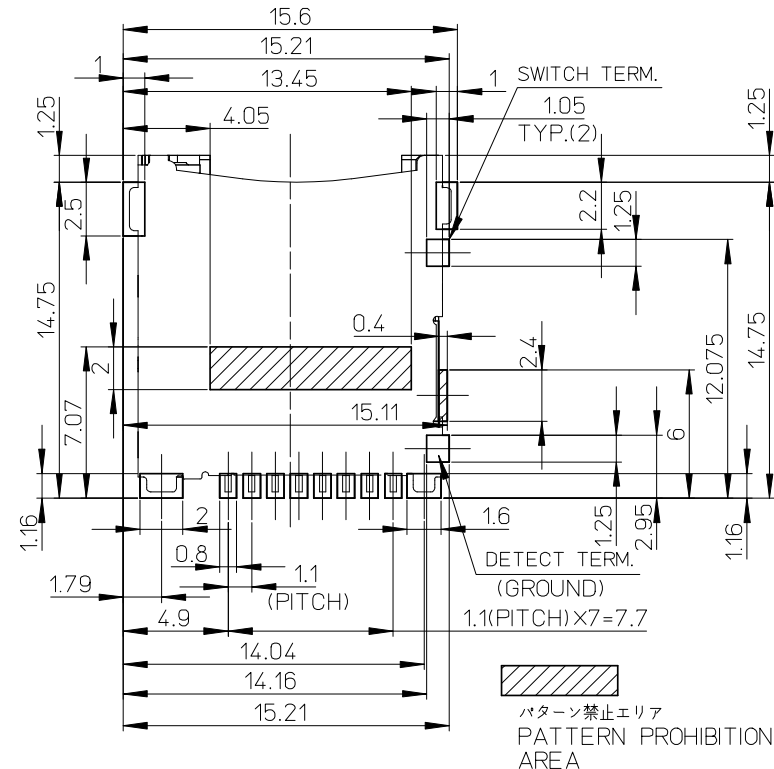
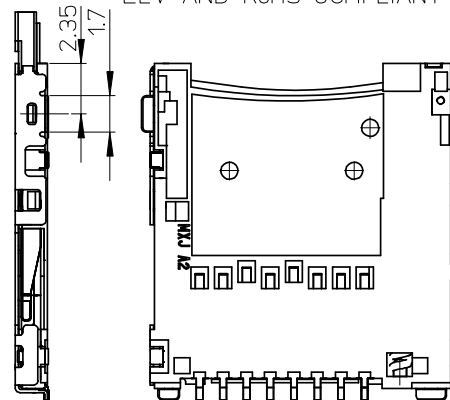
- ターミナル及びネイルの平坦度は0.1MAX.とする。
COPLANARITY OF TERMINAL AND NAIL IS TO BE 0.1MAX.
- スタンドオフ寸法
DIMENSIONS OF STAND OFF.
- ロット印字は任意とする
LOT NUMBERING IS TO BE OPTIONAL.
- 肉抜き位置は任意とする。
CAVITY IS TO BE OPTIONAL.
- カード検知スイッチ
DETECT SWITCH

ロットNo. : 6 7 0 7 0
 月 : 7月
 西暦(1桁目) : 6
 THE YEAR OF GRACE : 2006年
 ラインNo. : 07
 LINE No. : 07
 DAY : 07
 MONTH : 07
 YEAR : 2006



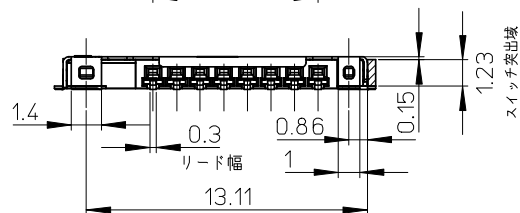
カード挿入時 CARD INSERTING POSITION	クローズ CLOSE
カード未挿入時 NO CARD	オープン OPEN

6. ELV及びRoHS適合品
ELV AND RoHS COMPLIANT



RECOMMENDED PCB PATTERN LAYOUT
GENERAL TOLERANCE : ±0.05

EMBOSSSED TAPE	502702-0891	502702-08**
CONNECTOR ONLY	502702-0811	
PACKAGE	MATERIAL NO.	MODEL NO.



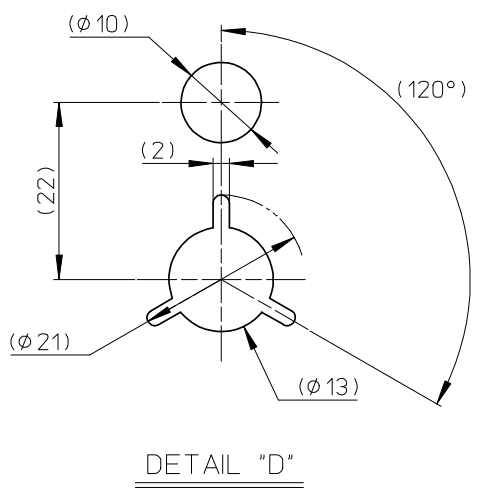
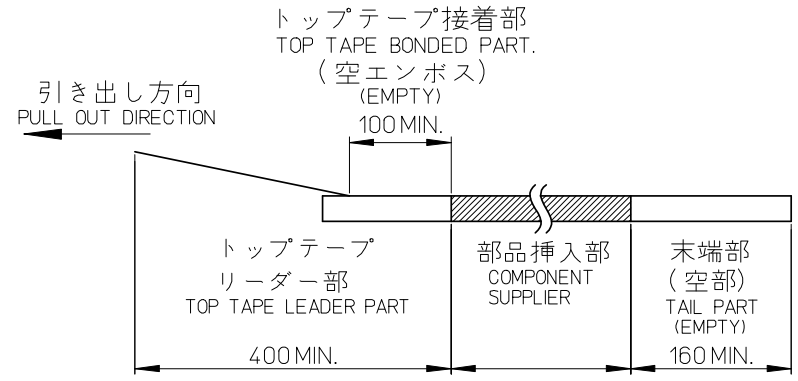
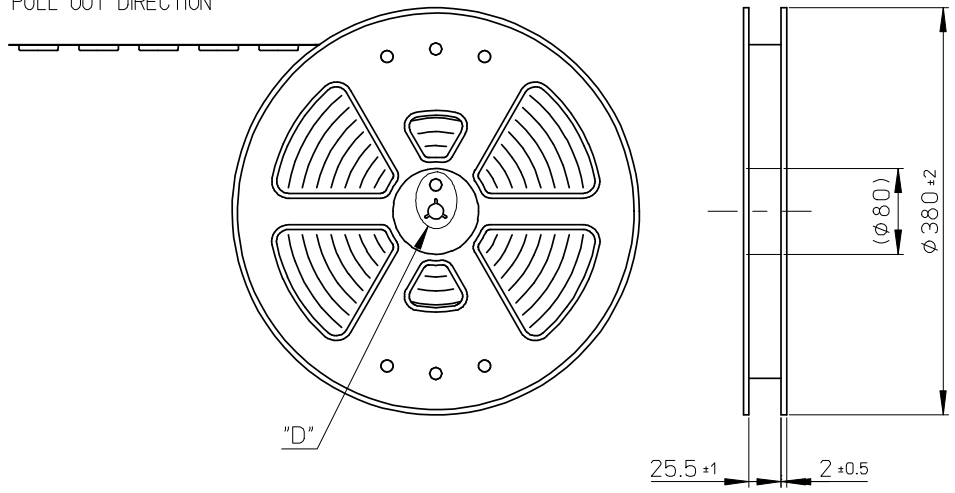
TERM 1	DAT2
TERM 2	CD/DAT3
TERM 3	CMD
TERM 4	Vdd
TERM 5	CLK
TERM 6	VSS
TERM 7	DAT0
TERM 8	DAT1

RELEASED EC NO: J2008-3093 DRWN: NABEI CHKD: THARUYAMA APPR: NUKITA	DESCRIPTION GENERAL TOLERANCES (UNLESS SPECIFIED)	DIMENSION STYLE MM ONLY	SCALE	DESIGN UNITS	THIRD ANGLE PROJECTION
			---	METRIC	
REV 0	10 UNDER	±0.2	TITLE MICRO SD CARD CONN. NORMAL LOW-PROFILE ASS'Y		
	10 OVER 30 UNDER	±0.25	DRAWN BY DATE M. NABEI '08/02/22		
REV 0	30 OVER	±0.3	CHECKED BY DATE T. HARUYAMA '08/02/22		
	ANGULAR	±1 °	APPROVED BY DATE N. UKITA '08/02/22		
DRAFT WHERE APPLICABLE MUST REMAIN WITHIN DIMENSIONS		SEE TABLE	MATERIAL NO. DOCUMENT NO. SD-502702-003		SHEET NO. 1 OF 1
THIS DRAWING CONTAINS INFORMATION THAT IS PROPRIETARY TO MOLEX INCORPORATED AND SHOULD NOT BE USED WITHOUT WRITTEN PERMISSION					

NOTES

- 製品詳細寸法は製品単体図面を参照して下さい。
FOR DETAIL OF CONNECTOR DIMENSIONS, PLEASE SEE THE DRAWING OF CONNECTOR ITSELF (NOT PACKAGED).
- 梱包数量：1000 個／リール
NUMBER OF CONNECTORS . 1000 PCS/REEL.
- リードテープ長さ LEAD TAPE LENGTH.

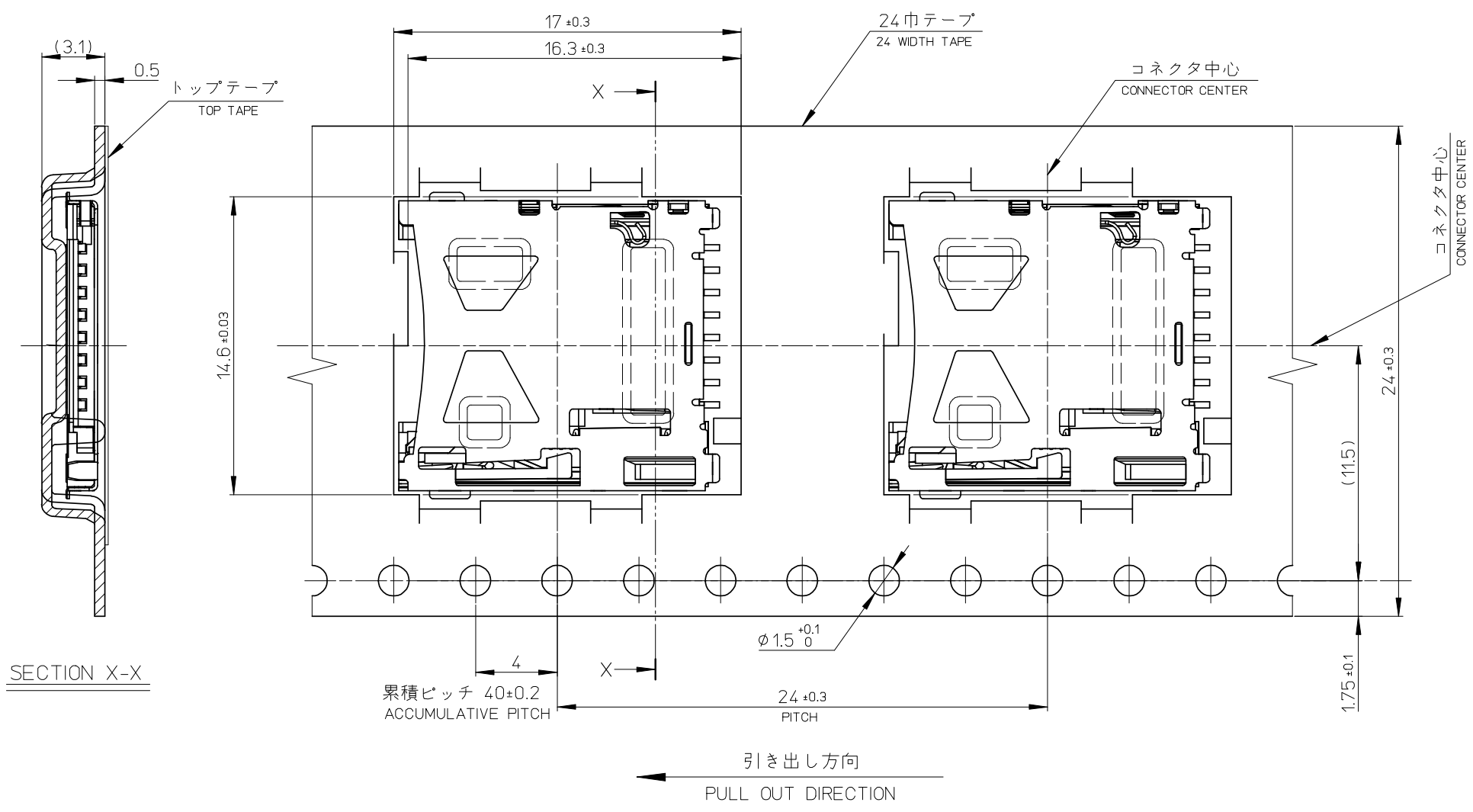
引き出し方向
PULL OUT DIRECTION



- 材料 MATERIAL
キャリアテープ (CARRIER TAPE) : ポリスチレン (POLYSTYRENE)
トップテープ (TOP TAPE) : PET, PE, PEF
リール (REEL) : ポリスチレン (PS) <リサイクル材含む>
POLYSTYRENE (PS) <RECYCLE MATERIAL CONTAINED>
- ELV 及び RoHS 適合品
ELV AND RoHS COMPLIANT

502702-0811	502702-0891	502702-08**
CONNECTOR	MATERIAL NO.	MODEL NO.

RELEASED EC NO: J2008-3093 DRWN: NABEI 2008/02/29 CHKD: HARUYAMA 2008/02/29 APPR: NUKITA 2008/03/03	GENERAL TOLERANCES (UNLESS SPECIFIED)	DIMENSION STYLE MM ONLY	SCALE ---	DESIGN UNITS METRIC	THIRD ANGLE PROJECTION	
	10 UNDER ±0.2	DRAWN BY M. NABEI	DATE '08/02/22	TITLE MICRO SD CONN. LOW-PRO EMBOSSSED TAPE PACKAGE		
	10 OVER 30 UNDER ±0.25	CHECKED BY T. HARUYAMA	DATE '08/02/22	MOLEX INCORPORATED		
	30 OVER ±0.3	APPROVED BY N. UKITA	DATE '08/02/22	MATERIAL NO. SEE TABLE	DOCUMENT NO. SD-502702-004	SHEET NO. 1 OF 2
	ANGULAR ±1 °	DRAFT WHERE APPLICABLE MUST REMAIN WITHIN DIMENSIONS		THIS DRAWING CONTAINS INFORMATION THAT IS PROPRIETARY TO MOLEX INCORPORATED AND SHOULD NOT BE USED WITHOUT WRITTEN PERMISSION		



SECTION X-X

RELEASED EC NO: J2008-3093 DRWN: NABEI 2008/02/29 CHKD: HARUYAMA 2008/02/29 APPR: NUKITA 2008/03/03	GENERAL TOLERANCES (UNLESS SPECIFIED)		DIMENSION STYLE MM ONLY		SCALE ---	DESIGN UNITS METRIC	THIRD ANGLE PROJECTION	
	10 UNDER	±0.2	DRAWN BY M. NABEI	DATE '08/02/22	TITLE MICRO SD CONN. LOW-PRO EMBOSSSED TAPE PACKAGE			
	10 OVER 30 UNDER	±0.25	CHECKED BY T. HARUYAMA	DATE '08/02/22				
	30 OVER	±0.3	APPROVED BY N. UKITA	DATE '08/02/22	MOLEX INCORPORATED			
	ANGULAR	±1 °	MATERIAL NO.	DOCUMENT NO.				
DRAFT WHERE APPLICABLE MUST REMAIN WITHIN DIMENSIONS		SEE SHEET 1		SD-502702-004	2 OF 2			
SIZE A3 THIS DRAWING CONTAINS INFORMATION THAT IS PROPRIETARY TO MOLEX INCORPORATED AND SHOULD NOT BE USED WITHOUT WRITTEN PERMISSION								